



Ergo Tools and Monitor Arms

Price Guide — U.S.

Prices effective March 2017

(Revision 10)

STATE OF FLORIDA



Table of Contents

Build-Your-Own Keyboard System	1
Best - Selling Keyboard System.....	2
Mechanism Options	4
Keyboard Platform Options	5
Mouse Platform Options	7
Palm Rest Options	8
Keyboard System Accessories	9
NeatLinks	10
M8 Monitor Arms	11
M/Flex	13
Ergonomic Accessories	15
Build-Your-Own Vision Light.....	16
Build-Your-Own Element Light.....	17

Build-Your-Own Keyboard System

Choose from our many mechanisms, keyboard platforms, mouse platforms, palm rests and track lengths to configure your own customized keyboard system. Using the Keyboard System Product Code Key below and the component options listed on the following pages, you can build the product code for your own customized keyboard system.

All products must be fully configured to be eligible for GSA Schedule. Please consult a Humanscale representative for pricing and discounts on individual components.

Keyboard System Product Code:



Mechanism



Keyboard Platform



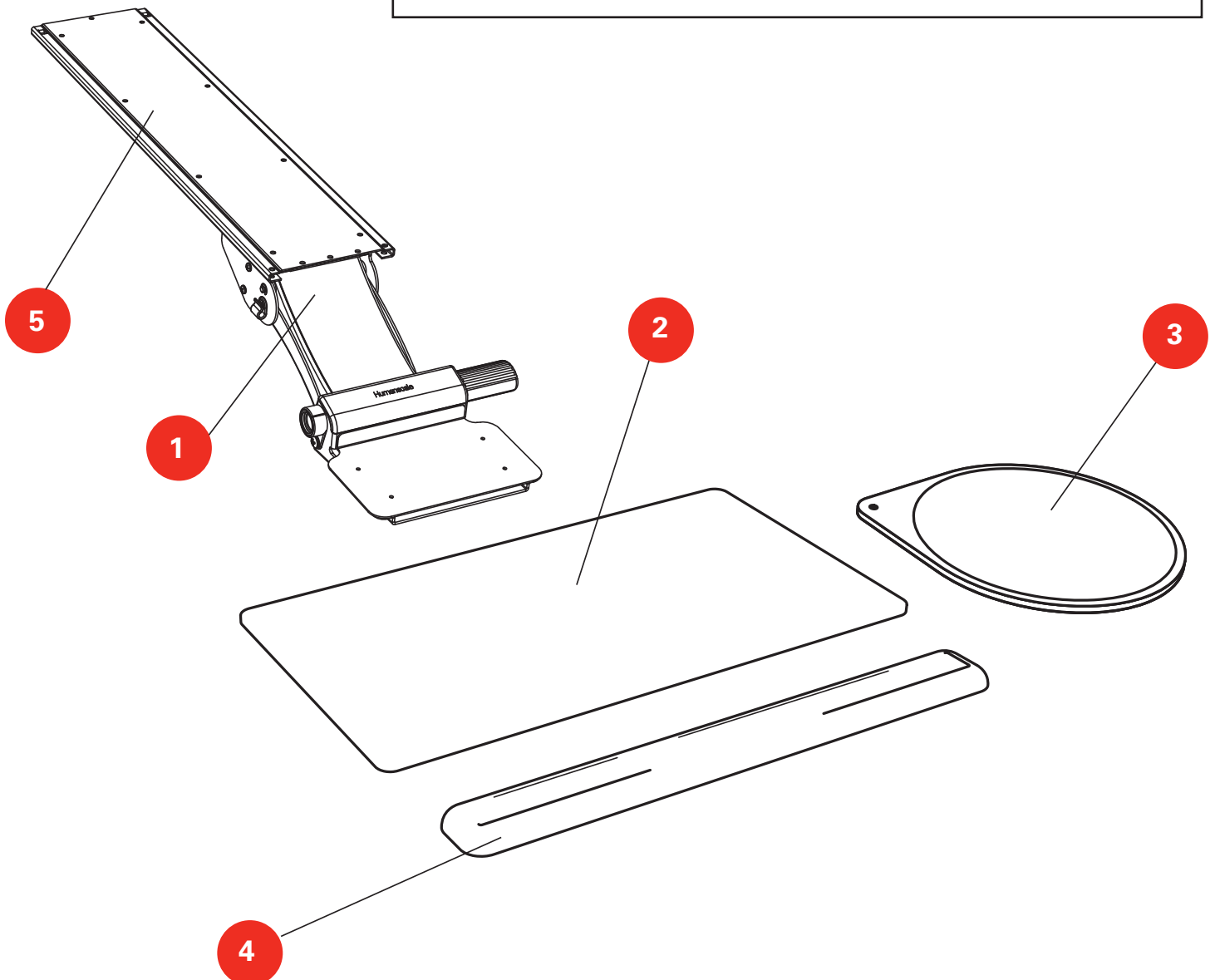
Mouse Platform



Palm Support



Track (optional)



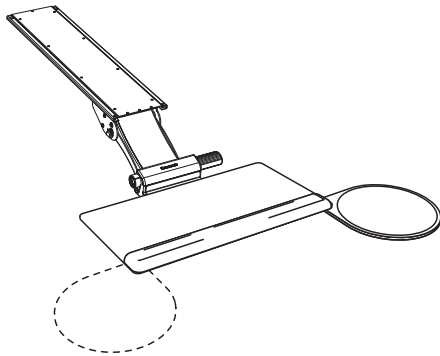
Best-Selling Keyboard Systems

Advanced technology, award winning designs, hundreds of options and the market leader for three years running. We pioneered intuitive adjustability and eliminated knee obstruction. And these "best sellers" remain several steps ahead of the pack

DISCOUNT ON ALL KEYBOARD SYSTEMS

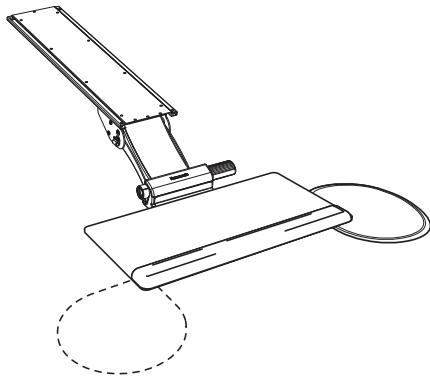
	DISCOUNT
FROM DOLLAR ONE \$1 - 50,000	66.25%
\$50,001 - 150,000	67.75%
\$150,001+	NEGOTIABLE

Note: All prices are list. Use applicable GSA discount to calculate GSA pricing.



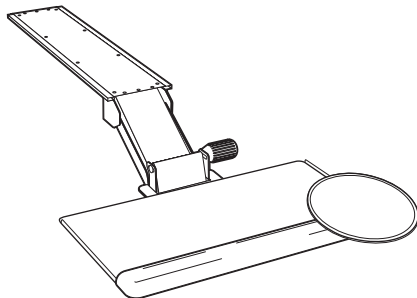
2G or 4G Mechanism
 Standard Platform
 8" Swivel Mouse (*Right or Dual*)
 Synthetic Leather Palm Support (*Gel or Foam Core*)

<i>Right/Gel</i>	2G 900 11R G	\$390		4G 900 11R G	\$415
<i>Dual/Gel</i>	2G 900 11D G	\$435		4G 900 11D G	\$460
<i>Right/Foam</i>	2G 900 11R F	\$375		4G 900 11R F	\$400
<i>Dual/Foam</i>	2G 900 11D F	\$420		4G 900 11D F	\$445



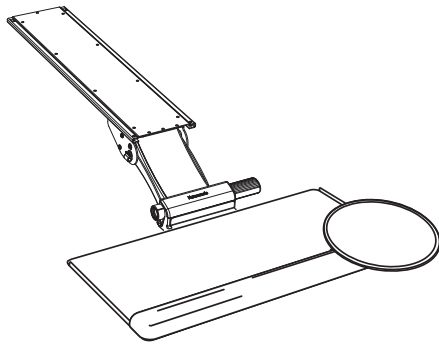
2G or 4G Mechanism
 Standard Platform
 M2 Mouse (*Right or Dual*)
 Synthetic Leather Palm Support (*Gel or Foam Core*)

<i>Right/Gel</i>	2G 900 81R G	\$390		4G 900 81R G	\$415
<i>Dual/Gel</i>	2G 900 81D G	\$435		4G 900 81D G	\$460
<i>Right/Foam</i>	2G 900 81R F	\$375		4G 900 81R F	\$400
<i>Dual/Foam</i>	2G 900 81D F	\$420		4G 900 81D F	\$445



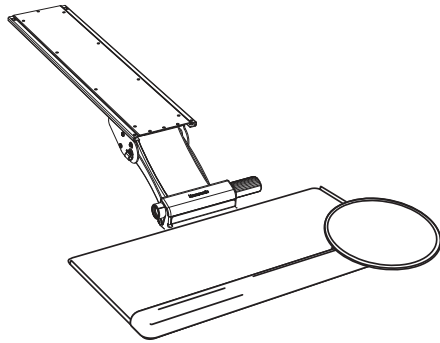
2G or 4G Mechanism
 Standard Platform
 8" High Clip Mouse (*Non Handed*)
 Synthetic Leather Palm Support (*Gel or Foam Core*)

<i>Gel</i>	2G 900 90H G	\$410		4G 900 90H G	\$435
<i>Foam</i>	2G 900 90H F	\$395		4G 900 90H F	\$420



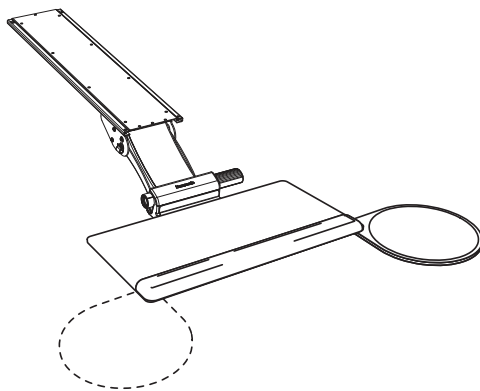
White 6G System
 Standard White 6GW Mechanism
 White 900 or 950 Platform
 White High Clip Mouse* (8.5" or 10" Mousing Surface)
 Gray Gel Mouse Pad
 Gray Synthetic Leather
 Gel Palm Support

<i>Std6GW/8.5"</i>	6GW 900 90H G	\$451
	6GW 950 90H G	\$451
<i>Std 6GW/10"</i>	6GW 900 91H G	\$451
	6GW 950 91H G	\$451



Clip Mouse System
 6G Mechanism
 Standard 900 Platform
 High Clip Mouse (8.5" or 10" Mousing Surface)
 Synthetic Leather Palm
 Support (Gel or Foam)
 Standard Black color scheme

<i>8.5"/Gel</i>	6G 900 90H G	\$440
<i>10"/Gel</i>	6G 900 91H G	\$440
<i>8.5"/Foam</i>	6G 900 90H F	\$425
<i>10"/Foam</i>	6G 900 91H F	\$425



Swivel Mouse System
 6G Mechanism
 Standard 900 Platform
 8" Swivel Mouse Right or Dual
 Synthetic Leather Palm Support (Gel or Foam)
 Standard Black color scheme

<i>Right/Gel</i>	6G 900 11R G	\$420
<i>Dual/Gel</i>	6G 900 11D G	\$465
<i>Right/Foam</i>	6G 900 11R F	\$405
<i>Dual/Foam</i>	6G 900 11D F	\$450

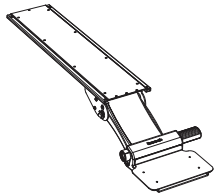
*Standard-height Clip Mouse also available for White 6G System.

1 Mechanism Options

DISCOUNT ON ALL KEYBOARD SYSTEMS

	DISCOUNT
FROM DOLLAR ONE \$1 - 50,000	66.25%
\$50,001 - 150,000	67.75%
\$150,001+	NEGOTIABLE

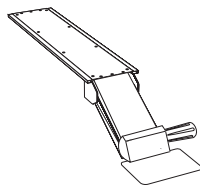
Note: All prices are list. Use applicable GSA discount to calculate GSA pricing.



6G/6GW \$250

Humanscale's most advanced keyboard mechanism to date, the 6G provides intuitive ergonomic adjustability and unmatched styling.

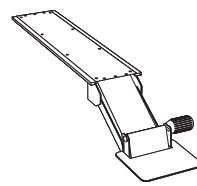
7" height adjustment
(1.75" above track to 5.25" below track)
Comes standard with 21.625" track



4G \$245

The 4G offers all the advantages of the 2G, but with simple dial-a-tilt keyboard angle adjustability.

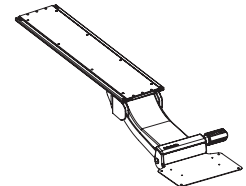
6 1/4" height adjustment
(11/4" above track to 5" below track)



2G \$220

The 2G is the second-generation Freedom Arm with independent height and tilt adjustment and unmatched stability.

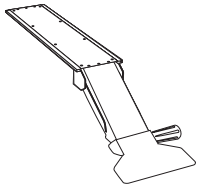
6 1/4" height adjustment
(11/4" above track to 5" below track)



5GAD \$335

The 5G Above Desk mechanism provides 5G functionality with a longer arm for use above the work surface.

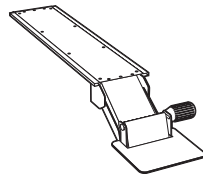
13.5" height adjustment
(7.5" above track to 6" below track)
Comes standard with 27" track



4GAD \$326

The 4G Above Desk mechanism provides 4G functionality with a longer arm for use above the work surface.

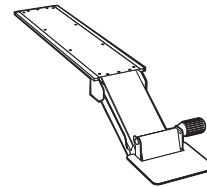
11.5" height adjustment
(8.5" above track to 3" below track)
Comes standard with 27" track



SM \$220

The Short mechanism provides 2G functionality with a shorter arm for small workstations and tight spaces.

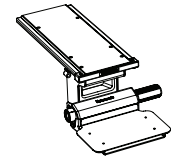
4" height adjustment
(1/2" above track to 3 1/2" below track)



AD \$280

The Above Desk mechanism provides 2G functionality with a longer arm for use above the work surface.

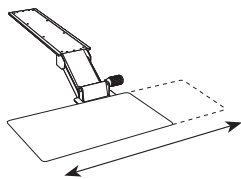
9" height adjustment
(5" above track to 4" below track)



6FB (Black) \$175
6FW (White) \$175

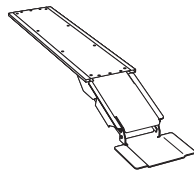
Designed exclusively for the Float, the 6F incorporates simple dial-a-tilt adjustability and modern styling ideal for all height-adjustable tables.

No height adjustment
Only for use with height-adjustable tables



Mechanism Accessory LS \$84

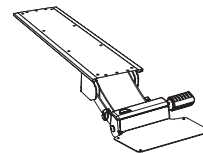
The Lateral Slider allows the platform to be adjusted left or right a total of 8" for optimal keyboard positioning. It can be ordered with any keyboard mechanism by indicating "LS" after the mechanism code (e.g., 2GLS).



KM \$200

The Standard Pre-set Tilt Arm offers total knee clearance, knob-free adjustment and 0° tilt.

6 1/4" height adjustment
(11/4" above track to 5" below track)



5GSM \$270

The 5G Short Mechanism provides 5G functionality with a shorter arm for small workstations and tight spaces.

4" height adjustment
(0.5" above track to 3.5" below track)
Comes standard with 18" track

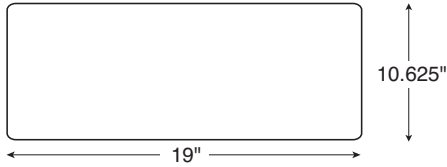
2 Keyboard Platform Options

DISCOUNT ON ALL KEYBOARD SYSTEMS

DISCOUNT

FROM DOLLAR ONE \$1 - 50,000	66.25%
\$50,001 - 150,000	67.75%
\$150,001+	NEGOTIABLE

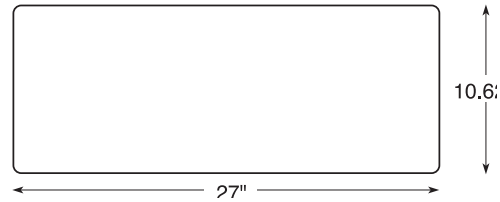
Note: All prices are list. Use applicable GSA discount to calculate GSA pricing.



900 \$90 white \$97

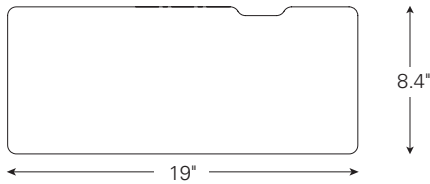
Standard

Available in white with 6GW



500 \$135

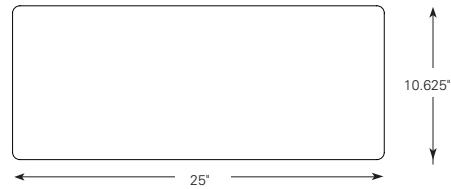
Big



950 \$97 white \$97

Standard Compact

Available in white with 6GW

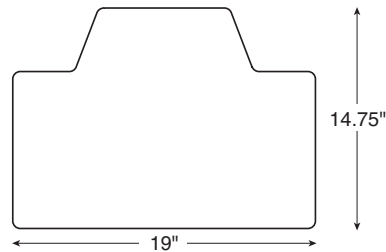


550 \$145

Big Compact

Comes with built-in mousing surface.

Not available with other mouse platform options.



600 \$110

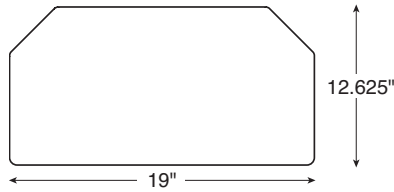
Extender

DISCOUNT ON ALL KEYBOARD SYSTEMS

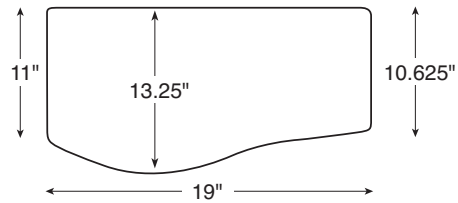
DISCOUNT

FROM DOLLAR ONE \$1 - 50,000	66.25%
\$50,001 - 150,000	67.75%
\$150,001+	NEGOTIABLE

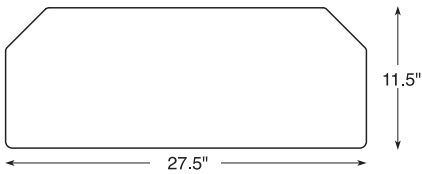
Note: All prices are list. Use applicable GSA discount to calculate GSA pricing.



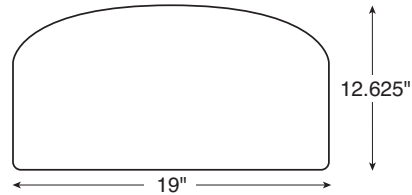
700 \$90
Diagonal



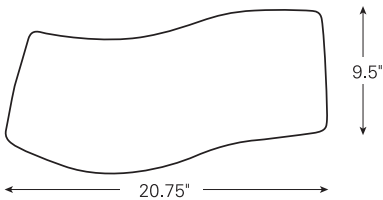
100 \$90
Combo



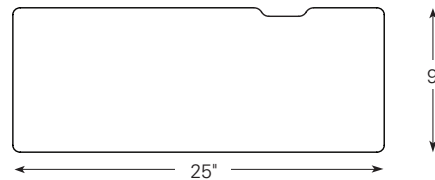
400 \$135
Diagonal Big



800 \$90
Radiused



300 \$97
Not available with a palm support



259 \$125
Comes with built-in mousing surface.
Not available with other mouse platform options.
Only available with 6FB and 6FW.
Must be used with 12.5" track.

3 Mouse Platform Options

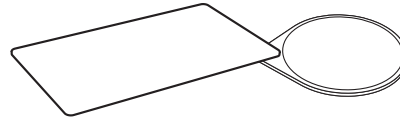
DISCOUNT ON ALL KEYBOARD SYSTEMS

DISCOUNT

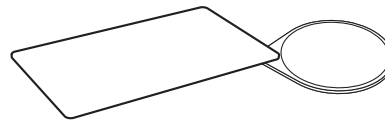
FROM DOLLAR ONE \$1 - 50,000	66.25%
\$50,001 - 150,000.....	67.75%
\$150,001+.....	NEGOTIABLE

Note: All prices are list. Use applicable GSA discount to calculate GSA pricing.

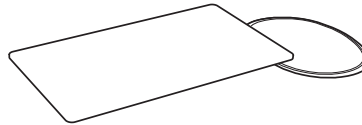
	Code	Price
8" Swivel Right	11R	\$45
8" Swivel Left	11L	\$45
<i>(not pictured)</i>		
8" Swivel Dual	11D	\$90
<i>(not pictured)</i>		



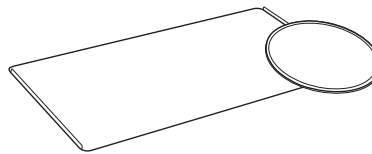
10" Swivel Right	12R	\$45
10" Swivel Left	12L	\$45
<i>(not pictured)</i>		
10" Swivel Dual	12D	\$90
<i>(not pictured)</i>		



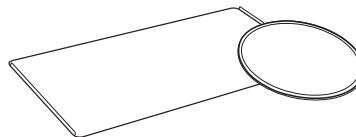
M2 Right	81R	\$45
M2 Left	81L	\$45
M2 Dual	81D	\$90



8.5" Clip	90	\$65
8.5" High Clip	90H	\$65
White		\$69
<i>Available in white with 6GW</i>		



10" Clip	91	\$65
10" High Clip	91H	\$65
White		\$69
<i>Available in white with 6GW</i>		

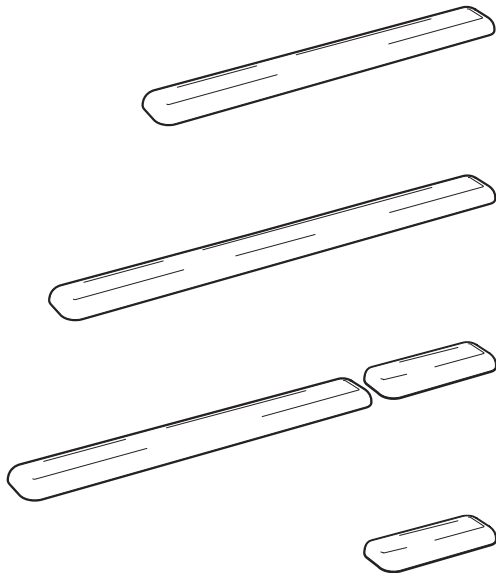


4 Palm Rest Options

DISCOUNT ON ALL KEYBOARD SYSTEMS

	DISCOUNT
FROM DOLLAR ONE \$1 - 50,000	66.25%
\$50,001 - 150,000	67.75%
\$150,001+	NEGOTIABLE

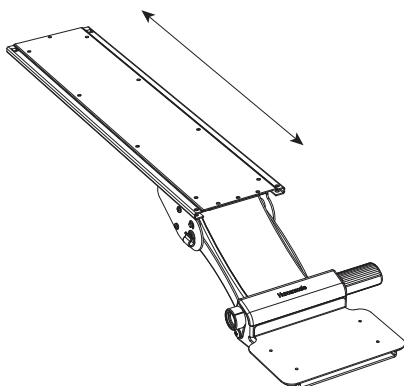
Note: All prices are list. Use applicable GSA discount to calculate GSA pricing.



F	19" Foam with synthetic leather cover	\$20
G	19" Gel with black or gray synthetic leather cover	\$35
S	19" Slim palm support	\$40
F20	20" Foam with synthetic leather cover	\$21
G20	20" Gel with synthetic leather cover	\$38
F25	25" Foam with synthetic leather cover	\$27
G25	25" Gel with synthetic leather cover	\$45
	<i>For 550 boards only</i>	
F27	27" Foam with synthetic leather cover	\$25
G27	27" Gel with Lycra knit cover	\$40
	<i>For 400 and 500 boards only</i>	
FMP	20" and 7" Foam with synthetic leather cover	\$30
GMP	20" and 7" Gel with synthetic leather cover	\$45
	<i>For 400 and 500 boards only</i>	
SMP25	19" and 5" Slim palm support	\$53
	<i>For 550 boards only</i>	
SMP27	19" and 7" Slim palm support	\$55
	<i>For 400 and 500 boards only</i>	
MP7F	7" Foam with synthetic leather cover	\$14
MP7G	7" Gel with synthetic leather cover	\$18
SMP7	7" Foam with synthetic leather cover	\$18
SMP5	7" Gel with synthetic leather cover	\$16

5 Track Options

All keyboard systems ship with track lengths noted on page 5. Please use the following codes to order a specific track for your system.



27	27" track	N/C
25	25" track	N/C
22	Standard 21.625" track	N/C
18	18" track	N/C
16	16" track	N/C
14	14" track	N/C
11	11" track	N/C

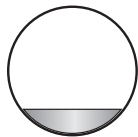
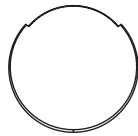
Keyboard System Accessories

DISCOUNT ON ALL KEYBOARD SYSTEMS

	DISCOUNT
FROM DOLLAR ONE \$1 - 50,000	66.25%
\$50,001 - 150,000.....	67.75%
\$150,001+.....	NEGOTIABLE

Note: All prices are list. Use applicable GSA discount to calculate GSA pricing.

Mouse Pads



HSMP12TIPS \$5
8" 12 Tips Ergo Mouse Pad

HSMP12TIPS10 \$6
9" 12 Tips Ergo Mouse Pad

CMPGEL8 \$26
8.5" Gel Mouse Pad
For 90 or 90H Clip Mouse

CMPGEL \$26
10" Gel Mouse Pad
For 91 or 91H Clip Mouse

MPGEL8 \$21
8.5" Gel Mouse Pad

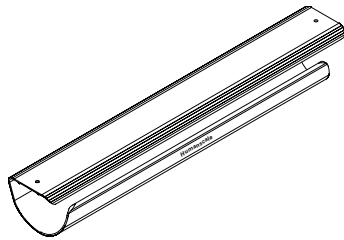
MPGEL10 \$26
10" Gel Mouse Pad

NeatLinks

DISCOUNT ON ALL NEATLINKS SYSTEMS

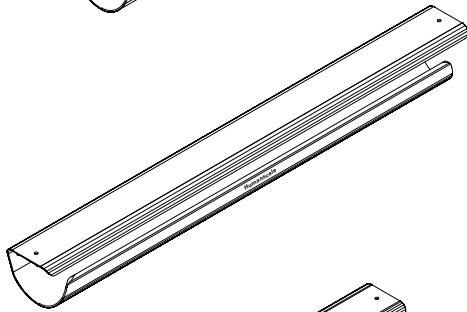
	DISCOUNT
FROM DOLLAR ONE \$1 - 50,000	59%
\$50,001 - 150,000	61%
\$150,001+	NEGOTIABLE

Note: All prices are list. Use applicable GSA discount to calculate GSA pricing.



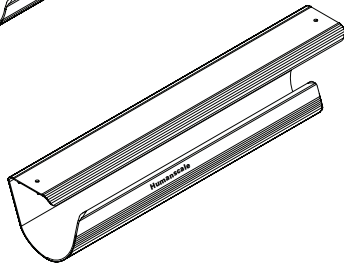
NeatLinks – Small 17"

NL17SB (Black)	\$19
NL17SG (Gray)	\$19
Small 2.6" Diameter, 17" Length	



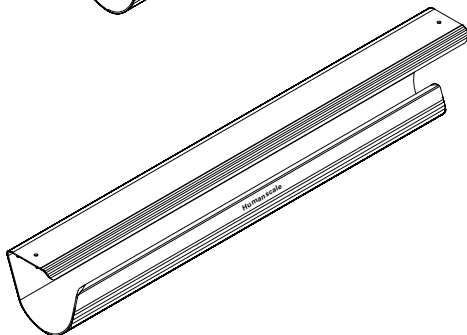
NeatLinks – Small 24"

NL24SB (Black)	\$21
NL24SG (Gray)	\$21
Small 2.6" Diameter, 24" Length	



NeatLinks – Large 17"

NL17LB (Black)	\$21
NL17LG (Gray)	\$21
Large 3.6" Diameter, 17" Length	



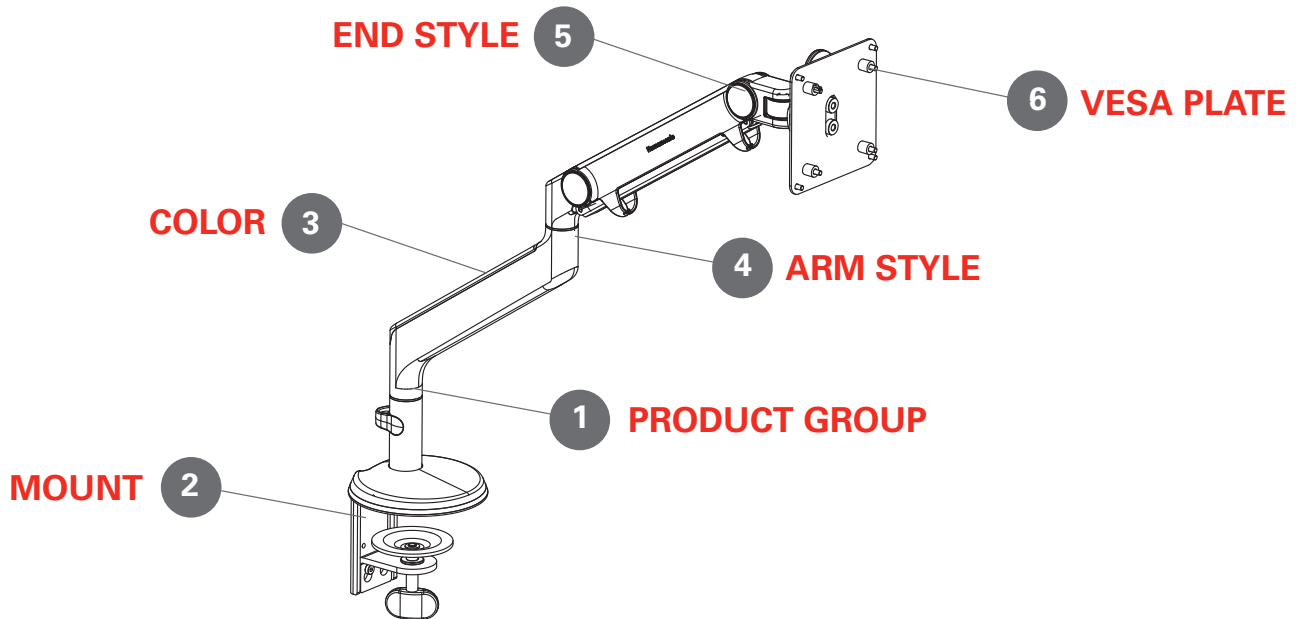
NeatLinks – Large 24"

NL24LB (Black)	\$23
NL24LG (Gray)	\$23
Large 3.6" Diameter, 24" Length	

Build Your M8 Product Code

To determine the list price for your monitor arm solution, identify your choice for each component and build the product code as shown below. Add the prices for all the options selected.

PRODUCT GROUP	MOUNT	COLOR	ARM STYLE	END STYLE	VESA PLATE	INDIVIDUAL PACKAGING
1	2	3	4	5	6	7
—	—	—	—	—	—	—

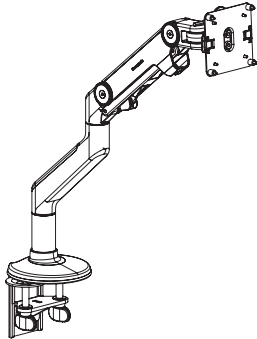


M8 Common Configurations

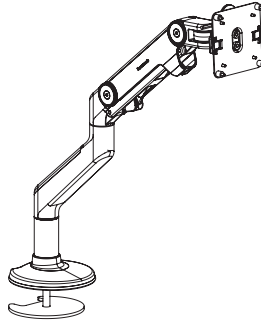
DISCOUNT ON M8 MONITOR ARMS

FROM DOLLAR ONE \$1 - 50,000	DISCOUNT 68.75%
\$50,001 - 150,000	69.75%

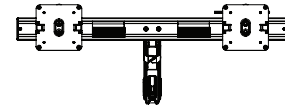
Note: All prices are list. Use applicable GSA discount to calculate GSA pricing.



M8CXC* \$460
M8 with Clamp Mount



M8BXC* \$460
M8 with Bolt-Through Mount



M8CXC-C* \$590
M8 with Clamp Mount and Crossbar
M8BXC-C* \$590
M8 with Bolt-Through Mount and Crossbar

*X denotes color. Substitute S for Silver with Gray trim.

All products must be fully configured to be eligible for GSA Schedule. Please consult a Humanscale representative for pricing and discounts on individual components.

M8 Component Pricing Chart

COMPONENT	CODE	DESCRIPTION	LIST PRICE
1 PRODUCT GROUP	M8	M8 Monitor Arm	M8
2 MOUNT	C	Two-Piece Clamp Mount with Base	100
	B	Bolt-Through Mount with Base	100
	S	Universal Slatwall Mount	100
	H	Direct Hardwall Mount	100
	D	Dual Mount	130
3 COLOR	S	Silver with Gray Trim	0
4 ARM STYLE	1	Fixed Angled Link/Dynamic Link	360
	2	Fixed Straight Link/Dynamic Link	360
	3	8" Straight Link/8" Straight Link	190
5 END STYLE	S	Standard Ball Joint only	0
	C	Crossbar for 2 monitors	130
6 VESA PLATE	-	Standard 100mm x 100mm (also used for 75mm x 75mm)	0
7 INDIVIDUAL PACKAGING	-	Standard bulk packaging for orders of 3 or more units	0
	IND	Individual Packaging for all units in an order	10**

1 Supports one or two monitors up to a total of 42 lbs.

M8 Accessories Pricing Chart*

COMPONENT	CODE	DESCRIPTION	LIST PRICE
Front-End Adjuster	UFEA-S-M8 ¹	Universal Front-End Adjuster for M2 and M8 - Silver	\$125

* Note: GSA pricing is only applicable if the UFEA-S-M8 is purchased as part of the M8 configuration

Build Your M/Flex Product Code

To determine the list price for your monitor arm solution, identify your choice for each component and build the product code as shown below. Add the prices for all the options selected.

PRODUCT "MF2" or "MF8"	BRACKET STYLE	COLOR	ARM STYLE <i>(4b and 4c, if applicable)</i>	MOUNT	POST HEIGHT	VESA PLATE	INDIVIDUAL PACKAGING
1	2	3	4 4b 4c	5	6	7	8
_ _ _	_	_	_ _ _ _	_	_ _ _	_	_

4

ARM STYLE

There are a total of 7 different Arm Styles to choose from. (See Specification for details.) The number of arms must equal the bracket number.

3

COLOR

Choose S for Silver with gray plastic trim and W for polished aluminum with white plastic trim. Note that M/Flex colors are exactly the same as M8 colors.

6

POST HEIGHT

Posts come in 12" or 18" high stackable sections. Specify the desired Post height, which will be a combination of 12" and 18" Posts. 24" high posts will ship with the attachment bolt. Specify N for No Mount.

2

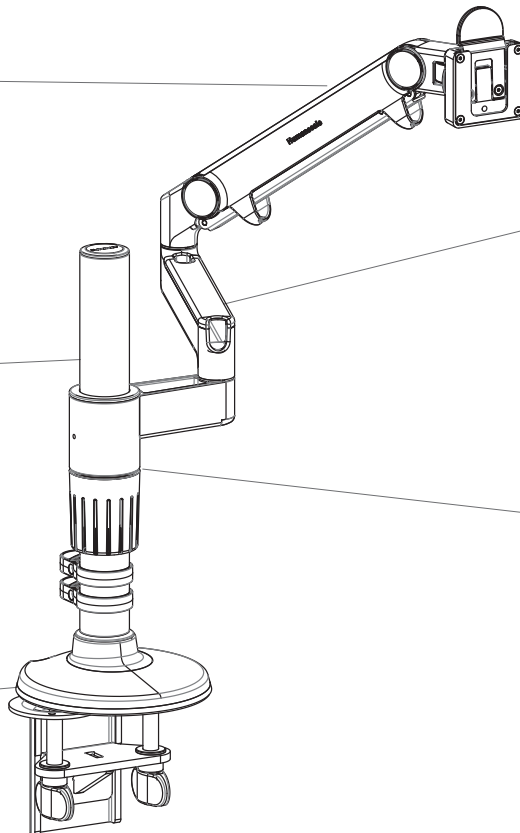
BRACKET STYLE

Choose 1, 2 or 3 brackets. The number of brackets must equal the number of monitors being mounted. Note that each bracket is separate: 1 is the Base Bracket for 1 monitor, 2 is the Base Bracket AND the 2nd monitor bracket, and 3 provides the Base Bracket, the 2nd Monitor Bracket and the 3rd Monitor Bracket.

5

MOUNT STYLE

Choose the desired Mount based on your mounting surface.



M/Flex Component Pricing Chart

DISCOUNT ON M/FLEX MONITOR ARMS

	DISCOUNT
FROM DOLLAR ONE \$1 - 50,000	68.75%
\$50,001 - 150,000	69.75%

Note: All prices are list. Use applicable GSA discount to calculate GSA pricing.

All products must be fully configured to be eligible for GSA Schedule. Please consult a Humanscale representative for pricing and discounts on individual components.

COMPONENT	CODE	DESCRIPTION	LIST PRICE
1 PRODUCT GROUP	MF2	M/Flex for M2 Arms	M2
2 BRACKET <i>Specify # of Brackets</i> <i>Equals # of Monitors</i>	1	Base Bracket for 1 Monitor	\$50
	2	Brackets for 2 Monitors	100
	3	Brackets for 3 Monitors	140
3 COLOR	S	Silver with Gray Trim	0
	W	Polished Aluminum with White Trim	0
4 ARM CONFIGURATION <i># of Arms must equal the # of</i> <i>Brackets For multiple, specify</i> <i>from left to right</i>	0	Ball Joint Turret	50
	1	Fixed Angled Link/Dynamic Link	225
	2	Straight Link/Dynamic Link	225
	3	Straight Link/Straight Link	135
	8	12" Straight Link/Dynamic Link	255
	9	12" Straight Link/Straight Link	182
5 MOUNT	C	Clamp Mount	90
	B	Bolt-Thru Mount	50
	D	Dual Mount	115
6 POST HEIGHT	12	12" High Post	40
	18	18" High Post	70
	24	24" High Post (Two 12" High Stackable Posts)	80
7 VESA PLATE	-	Standard 100mm x 100mm (also used for 75mm x 75mm)	0
8 INDIVIDUAL PACKAGING	-	Standard bulk packaging for orders of 3 or more	0

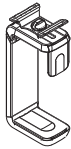
Ergonomic Accessories

DISCOUNT ON CPU HOLDER

	DISCOUNT
FROM DOLLAR ONE \$1 - 50,000	68%
\$50,001 - 150,000	69%

Note: All prices are list. Use applicable GSA discount to calculate GSA pricing.

CPU Holders



CPU600 (Black)	\$168
CPU600W (White)	\$168

Fits CPUs 3.5" to 9"
wide by 12" to 20" high
Max CPU Weight: 50 lbs.

Installed Dimensions:
7" or CPU Width + 1.7" (whichever is
greater), CPU Height + 3.6"

Build-Your-Own Vision Light

DISCOUNT ON THE VISION LIGHT

FROM DOLLAR ONE \$1 - 150,000	DISCOUNT
\$150,001+	62.25%
	NEGOTIABLE

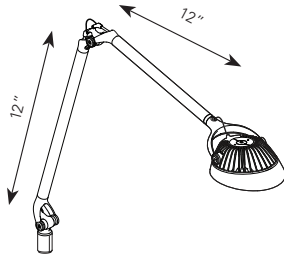
Note: All prices are list. Use applicable GSA discount to calculate GSA pricing.

To create the product code for your Vision Light, simply choose your preferred style, plug, mount, and color, and combine the respective codes for each.

Element Light Product Code:

1	2	3	4
Style	Plug	Mount	Color

1 Style



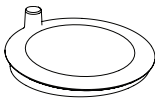
EV \$499
 Element Vision: 7-Watt Hi-Output MCX LED with Dimmer and Occupancy Sensor

2 Plug

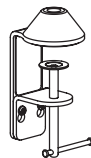


E N/C
 North America

3 Mount



B Add \$50
 Element Desktop Base
 8" diameter



K Add \$15
 2-Piece Clamp
 Requires minimum 1/4" clearance between desk and wall or panel.

4 Color

S
 Silver

Build-Your-Own Element Light

DISCOUNT ON THE ELEMENT LIGHT

FROM DOLLAR ONE \$1 - 150,000 67%
 \$150,001+ NEGOTIABLE
 Note: All prices are list. Use applicable GSA discount to calculate GSA pricing.

To create the product code for your Element Light, simply choose your preferred style, plug, mount, and color, and combine the respective codes for each.

Element Light Product Code:

1

2

3

4

Style

Plug

Mount

Color

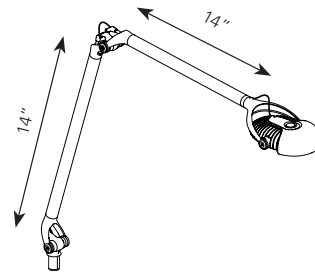
Element Light Replacement Parts (if purchased separately)

ELEMENT LIGHT MOUNTS		
Element Desktop Base	ELBS (silver)	\$85
Clamp For grommet or edge mount	DLCS (silver)	\$35
2-Piece Clamp For edge mount	DLKS (silver)	\$50
Universal Slatwall	DLSS (silver)	\$35
Grommet Cover	DLGC (black)	\$10

For use with Clamp Mount C

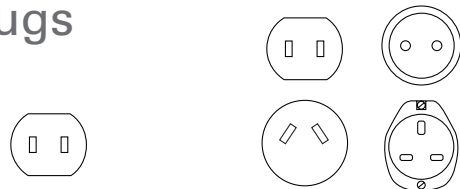
Note: All Silver lights ship with Silver mounts.

1 Style



EL \$395
Element Classic: 7-Watt MCX LED Light

2 Plugs



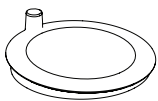
E
North America

N/C

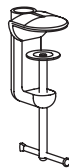
U Add \$4
Universal

(4 Interchangeable plugs)

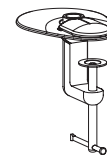
3 Mount



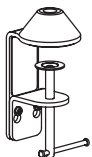
B Add \$50
Element Desktop Base
 8" diameter



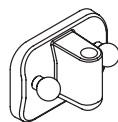
C N/C
Clamp
 For grommet or edge mount. Fits surfaces up to 2" thick and grommet holes 2" or more in diameter.



G Add \$10
Clamp with Grommet Cover
 For grommet holes 2" - 3.25" in diameter.



K Add \$15
2-Piece Clamp
 Requires minimum 1/4" clearance between desk and wall or panel.



S N/C
Universal Slatwall
 Adjusts to fit most standard slatwalls.

4 Color

S
Silver